

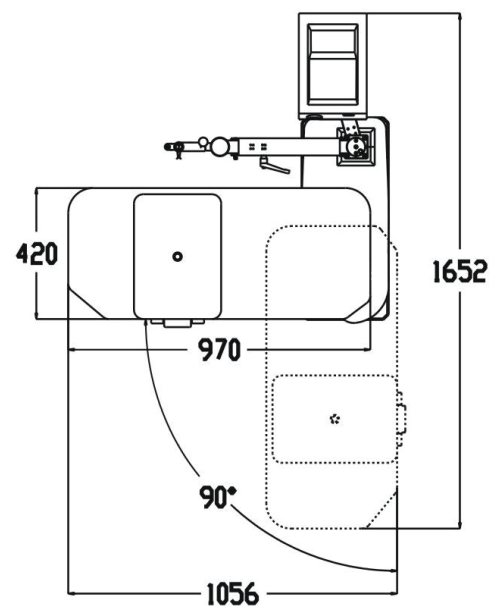
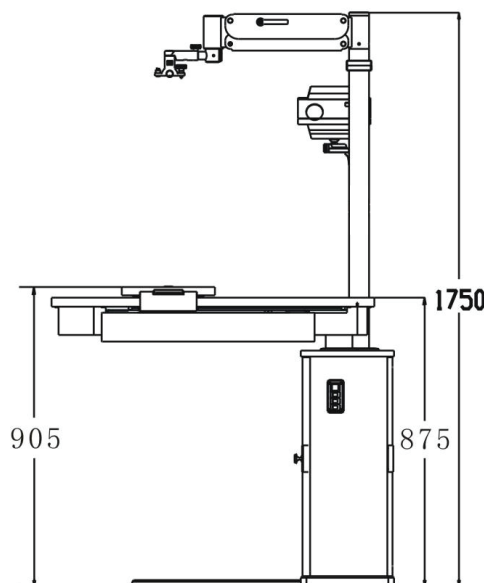
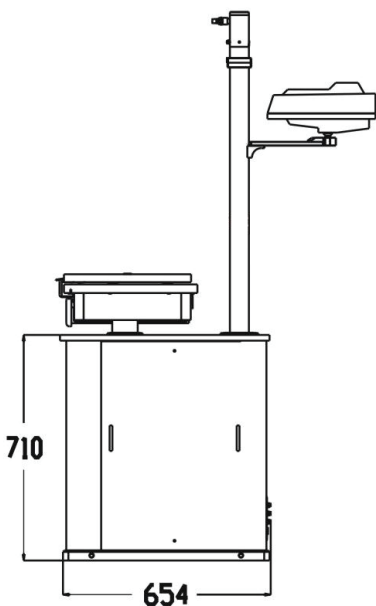
CT-500M Ophthalmic Unit (970 x 420 mm)

for use with manual phoropter



Technical Specifications

Table Rotatable Range	0-90°			
Table Size	970 x 420 mm			
Table Up/Down Range:	100mm			
Chair Up/Down Movement Range:	150mm			
Chair Loading Capacity	150kg			
Chair Back Rest Slope	180°			
Can Slit Lamp or Keratometer be installed on the unit?	No			
Power Supply	22V / 50hz, 110V/60Hz			
Size	1.05m ³ - 3 cartons: 1. 620mm x 620mm x 920mm 2. 1100mm x 460mm x 880mm 3. 550mm x 1220mm x 370mm			
Gross Weight	240kg			
Extras	Drawer	Sliding Table	Sliding Panel	# of Instruments
	✗	✗	✓	1



CT-500M Ophthalmic Unit. Available through Opticare.

☎ (Free call) 1800 251 852 🌐 www.opticare.com.au