

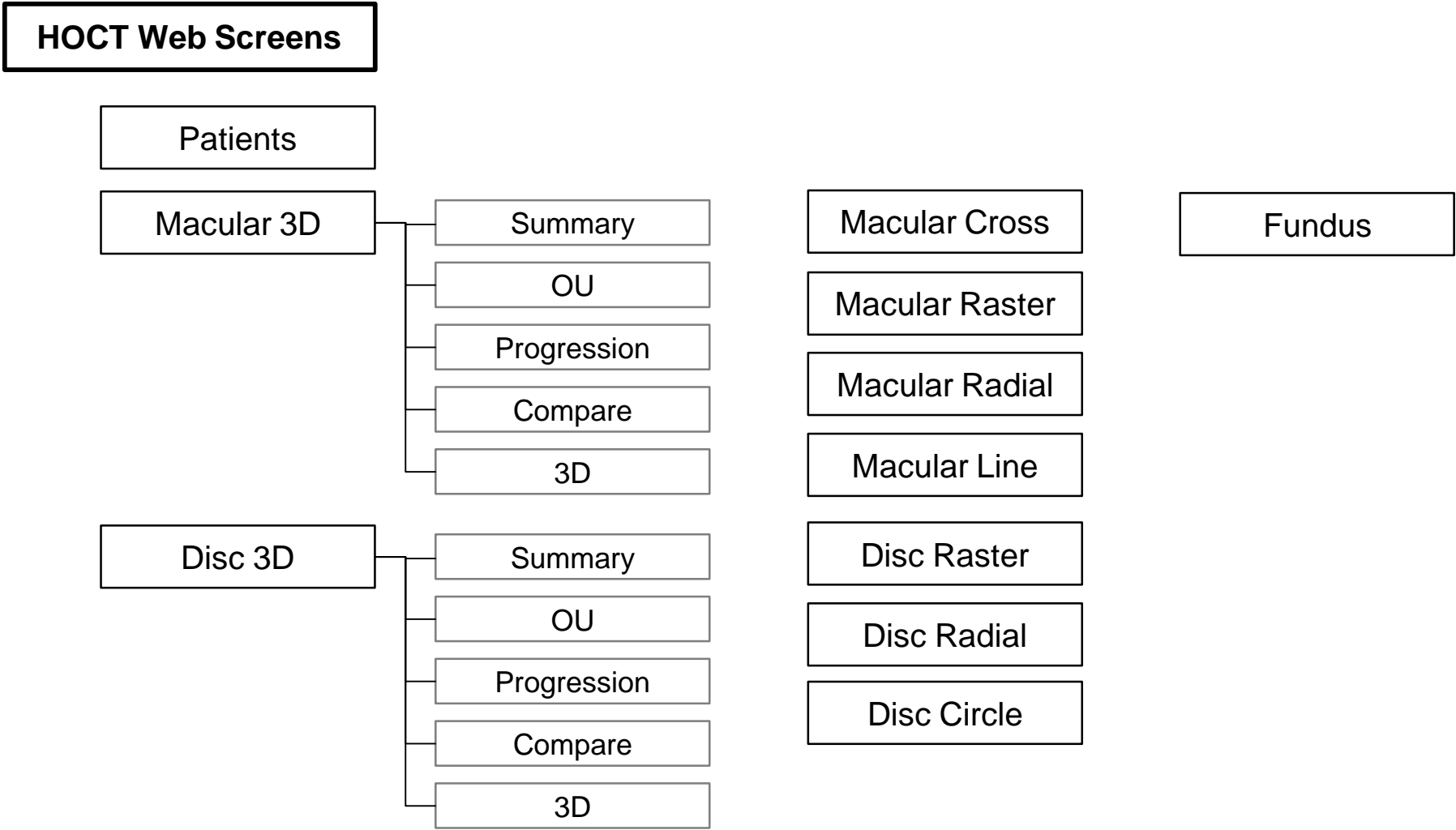
# Optical Coherence Tomography

## HOCT Web Viewer Screens

Document Number: **FATD(R0)-180524-001**

Date: **24 MAY 2018**

Pages: **11**



**Patient screen**

Patient searching. Patient can be searched by ID, name, the day of last visit, or even birthdate.

To show patients visited today.

Information of currently selected patient. It includes name, gender, race, and etc..

Refresh Patients' list

The screenshot shows the Huvitz OCT Webview interface. At the top left is the Huvitz logo. A search bar is located at the top center, and a 'Today' filter is on the right. Below the search bar is a table of patients with columns for ID, Name, Birth Date, and Last Visit. To the right of the patient list is a detailed view of a selected patient, showing their ID, Name, Gender, Birth Date, Race, Refraction, Operator, and Physician. Below this is a table of measurements with columns for OD/OS, Date, Measurement, and Detail. On the far right is a summary of the currently selected measurement, including Macular 3D Segment\_Retina, Macular 3D Scan Size, Scan Length, Date, Time, Fixation, Image Quality, and Color Fundus. An 'Analyze' button is visible at the bottom of this summary panel.

Patients' list. It can be sorted by ID, Name, Birthdate, and the date of the last visit. A patient can be selected with click and then the additional informations of the patient in the center of this page.

Summary of currently selected measurement.

To go to the analysis screen of the selected measurement.

List of the measurements of currently selected patient. It can be sorted by the side of eye, measurement date, and measurement type.

# Macular 3D

The screenshot shows the Huvitz OCT software interface. On the left, a sidebar contains a 'PATIENT LIST' and a 'DATE' section with '2017-12-28' selected. Below this, a list of measurements for the selected date is shown, including 'Anterior 3D 512x64', 'Anterior Line 1024x1', 'Color Fundus', 'Macular Cross 1024x10', and 'Macular 3D 512x64'. The main area displays a 'Fundus' image, a 'Summary' panel with 'LM-RPE Thickness(μm)' data (S: 270, T: 228, N: 312, I: 255, thickness Avg: 276), and 'Thickness' maps for 'ILM-GCL' and 'ILM-RPE'. On the right, 'B-scan' images are shown, with a horizontal one at the top and a vertical one at the bottom. The interface includes navigation buttons like 'REPORT' and 'EXPORT'.

Retinal image.

Various analysis mode for the current measurement.

To go back to the list of patients

Dates the current patient have measurements

List of measurements current patient had done on the selected date

B-scan display options.

Reconstructed B-scan images. Horizontal in top, vertical in bottom.

Analysis range selector.

Thickness distribution of the selected range.

Analysis of macular area : ETDRS

En face image of the selected range.

# Macular 3D - OU

Analysis of OD

Comparison of ETDRS of the both eyes

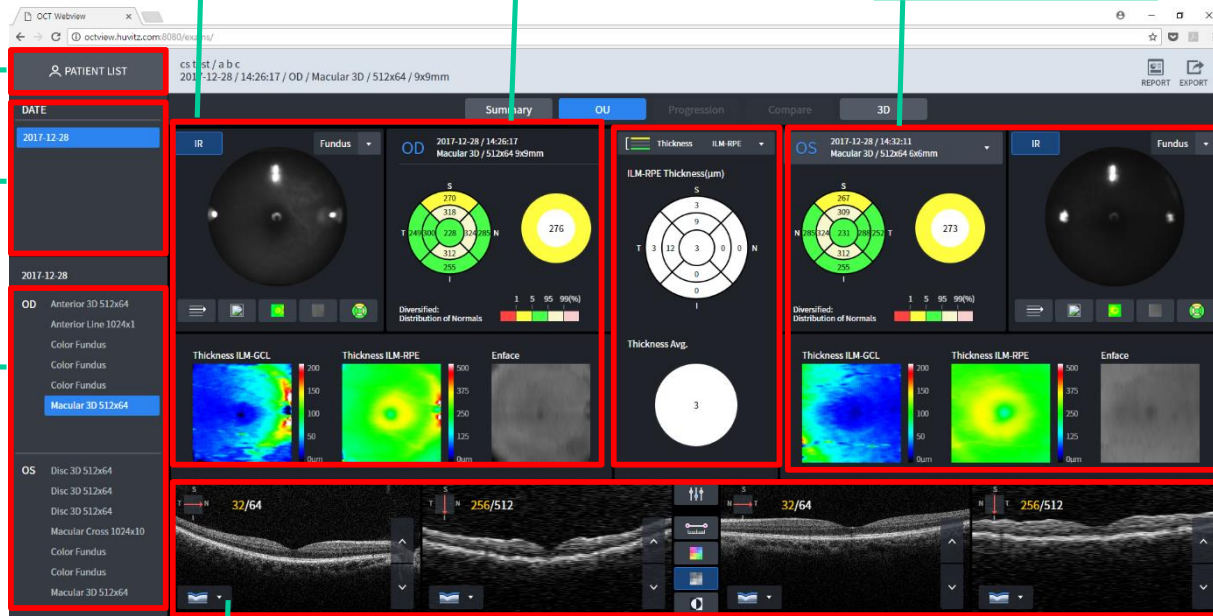
Analysis of OS

To go back to the list of patients

Dates the current patient have measurements

List of measurements current patient had done on the selected date

B-scan display options.



B-scans of the both eyes.

# Macular 3D - Progression

The screenshot displays the Huvitz OCT software interface for Macular 3D progression analysis. The interface is divided into several key sections:

- Patient List:** A sidebar on the left shows a list of patients with columns for DATE, OD (Right Eye), and OS (Left Eye). The current patient's date is 2017-12-28.
- Retinal IR Image:** A large circular IR image of the current measurement is shown in the center-left.
- Retinal IR Images of Sequential Measurements:** A row of four smaller circular IR images shows sequential measurements from 2017-12-28 at 14:46:39, 14:54:13, 14:57:58, and 15:01:00.
- B-scan Display Options:** A 'Fundus' dropdown menu allows for different B-scan views.
- Reconstructed B-scan Images:** A row of four B-scan images is shown below the IR images, with horizontal and vertical orientations.
- Analysis Range Selector:** A vertical slider on the left of the B-scan image allows for selecting a specific analysis range.
- B-scans of the Current Measurement:** The selected B-scan image shows the current measurement's cross-section.
- ETDRS of the Current Measurement:** A circular ETDRS chart shows the current measurement's thickness values across different sectors.
- Changes of Each Section in ETDRS Chart:** A line graph at the bottom right tracks the thickness of each ETDRS sector (Inner Superior, Inner Nasal, Inner Inferior, Inner Temporal, Outer Superior, Outer Nasal, Outer Inferior, Outer Temporal, and Fovea) across the four sequential measurements.

# Macular 3D - Compare

The screenshot displays the 'Compare' tab in the OCT software. The interface is divided into several sections:

- Left Panel (Patient List):** Shows a search bar for 'PATIENT LIST' and a list of dates (2017-12-28) and measurements (OD, OS) for a specific patient.
- Top Navigation:** Includes tabs for 'Summary', 'OU', 'Progression', 'Compare', and '3D'.
- Comparison Panel:** The central area compares two measurements. It features:
  - ETDRS Maps:** Two circular maps showing macular thickness distribution. The left map has a value of 273, and the right map has a value of 252.
  - Thickness Metrics:** A central 'Thickness Avg.' circle showing a value of 21.
  - Thickness Maps:** Two sets of maps for 'Thickness ILM-GCL' and 'Thickness ILM-RPE' for both eyes (OD and OS).
  - Enface Images:** Small grayscale images showing the enface view of the macula.
- Bottom Panel (B-scans):** Shows two sets of B-scan images. The left set is labeled '32/64' and the right set is labeled '256/512', indicating different scan depths.

Callout boxes provide additional context:

- To go back to the list of patients:** Points to the 'PATIENT LIST' search bar.
- Dates the current patient have measurements:** Points to the date '2017-12-28' in the patient list.
- List of measurements current patient had done on the selected date:** Points to the list of measurements (OD, OS) under the selected date.
- Analysis of current measurement:** Points to the left side of the comparison panel (OD).
- Comparison of ETDRS of the both measurements:** Points to the ETDRS maps.
- Analysis of the compared measurement:** Points to the right side of the comparison panel (OS).
- B-scan display options:** Points to the B-scan images at the bottom.
- B-scans of the both measurements:** Points to the two sets of B-scan images.

# Macular 3D – 3D

The screenshot displays the Huvitz OCT Webview interface. On the left, a 'PATIENT LIST' sidebar shows a table with columns for 'DATE' and 'OD' (Right Eye). The 'DATE' column lists '2017.12.28'. The 'OD' column lists various measurements such as 'Anterior 3D 512x64', 'Anterior Line 1024x1', 'Color Fundus', 'Disc 3D 512x64', 'Disc 3D 512x64', 'Macular Cross 1024x10', 'Color Fundus', and 'Macular 3D 512x64'. The main area shows a 3D rendered image of the retina, a B-scan of the current measurement, and various analysis tools like 'Clipping', 'Y-Clipping', 'Texture Select', and 'Thickness'. A '3D' tab is selected in the top navigation bar. Callouts point to different parts of the interface: 'Retinal image.' points to the top-left circular view; 'Various analysis mode for the current measurement.' points to the top navigation bar; 'Surface texture selection.' points to the 'Texture Select' tool; 'Rendered surfaces of layers : ILM, GCL, RPE.' points to the layer selection panel on the right; '3D rendered image of retina' points to the central 3D volume; 'B-scans of current measurement' points to the B-scan image; 'To go back to the list of patients' points to the 'PATIENT LIST' sidebar; 'Dates the current patient have measurements' points to the 'DATE' column; and 'List of measurements current patient had done on the selected date' points to the 'OD' column.

Retinal image.

Various analysis mode for the current measurement.

To go back to the list of patients

Dates the current patient have measurements

List of measurements current patient had done on the selected date

Surface texture selection.

Rendered surfaces of layers : ILM, GCL, RPE.

B-scans of current measurement

3D rendered image of retina



Disc 3D

The screenshot displays the Huvitz OCT Webview interface. On the left, a 'PATIENT LIST' sidebar shows a list of measurements for a patient on 2017-12-28, including 'Disc 3D 512x64'. The main area features a 'Retinal image' (IR) and a 'Fundus' view. A 'Summary' panel provides parameters: Sim Area (1.52), Hsc Area (2.34), Average C/D Ratio (0.35), Vertical C/D Ratio (0.65), and Sup Volume (0.19). It also includes an 'RNFL Quadrant' chart and an 'RNFL Clock Hours' chart. Below these are 'Thickness ILM-RNFL' and 'Thickness ILM-RPE' maps, and an 'Enface' image. On the right, 'B-scan display options' allow for horizontal and vertical reconstructions. A '3D' tab is also visible at the top.

Retinal image.

Various analysis mode for the current measurement.

B-scan display options.

Reconstructed B-scan images. Horizontal in top, vertical in bottom.

To go back to the list of patients

Dates the current patient have measurements

List of measurements current patient had done on the selected date

Analysis range selector.

Thickness distribution of the selected range.

Analysis of disc area : various TSNIT charts, numbers for cupping.

En face image of the selected range.

# Fundus

The screenshot shows the Huvitz OCT Webview interface. On the left, a sidebar contains a 'PATIENT LIST' and a list of measurements for a selected date (2017-12-28). The main area displays a fundus photo of an eye. On the right, there are controls for color channels (RGB) and image adjustments (Brightness, Contrast, Hue, Saturation). A 'Measurement' section is visible at the bottom right. Callouts point to various features: 'Red-free toggle', 'Various analysis mode for the current measurement', 'Measurements on fundus photo : length, area, and the ratio of two area', 'Color channel options', 'Reconstructed B-scan images. Horizontal in top, vertical in bottom.', 'Fundus photo, which can be magnified to 20 times.', 'To go back to the list of patients', 'Dates the current patient have measurements', and 'List of measurements current patient had done on the selected date'.

# Fundus - OU

The screenshot displays the Huvitz OCT Webview interface. On the left, a sidebar contains a 'PATIENT LIST' section with a search bar and a table of dates. The main area shows two fundus photos side-by-side, labeled 'OD' and 'OS'. Above the photos are navigation and measurement tools, including a 'Red-free toggle' and a 'Comparative selector'. A 'List of measurements' is also visible in the sidebar.

**To go back to the list of patients**

**Dates the current patient have measurements**

**List of measurements current patient had done on the selected date**

**Red-free toggle.**

**Measurements on fundus photo : length, area, and the ratio of two area.**

**Comparative selector**

**Fundus photos of the both eyes**