



Retail Fitout Guide 2017

Opticare can provide a range of Fitout equipment and accessories for your new or existing store, including:

- Optical Cabinets
- Store Counters
- Frame Displays

To obtain pricing for the products displayed in this catalogue, contact your local Account Manager for a quote.



Freecall **1800 224 354**



Email **info@opticare.com.au**



Website **www.opticare.com.au**



Catalog #
PDD-G6-1



Size:
1050 x 540 x 2200mm



Max. Display Qty:
180pcs



Catalog #
PDD-G6-2



Size:
1050 x 540 x 1310mm



Max. Display Qty:
144pcs



Catalog #:
PDD-G6-2 Mirror

Size:
300 x 400mm

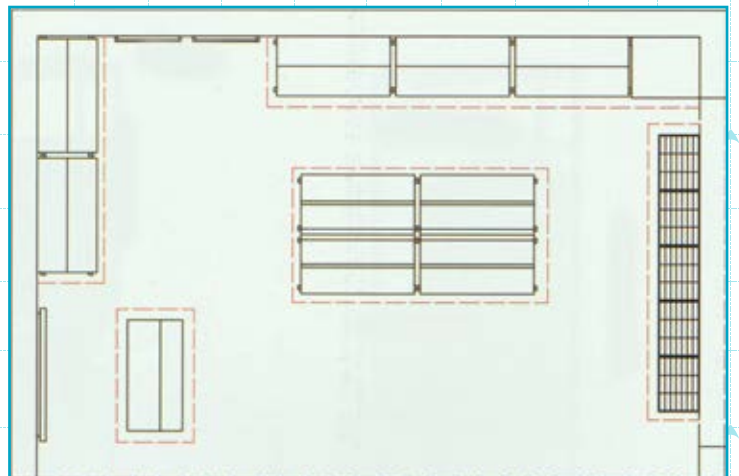
Shop Fitout - 25m²



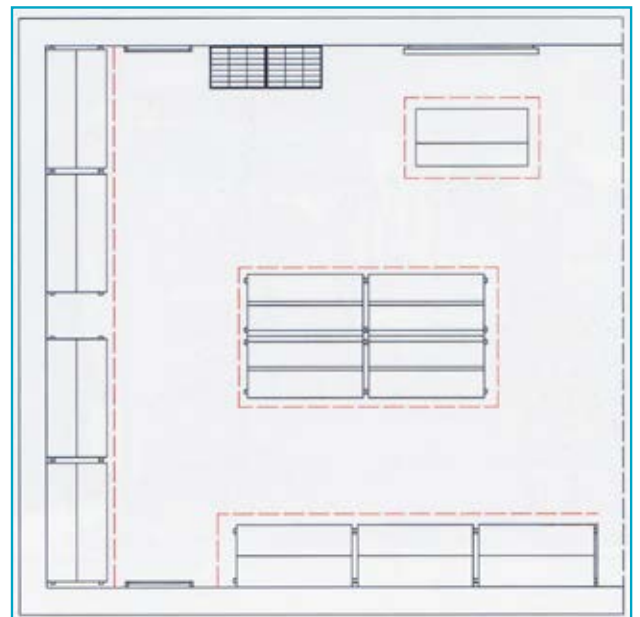
PDD-G6 Fitout #1

Area of the Shop:
25m²

Maximum Display Quantity:
3051pcs



Shop Fitout - 25m²



PDD-G6 Fitout #2

Area of the Shop:
25m² Design 2

Maximum Display Quantity:
2466 pcs

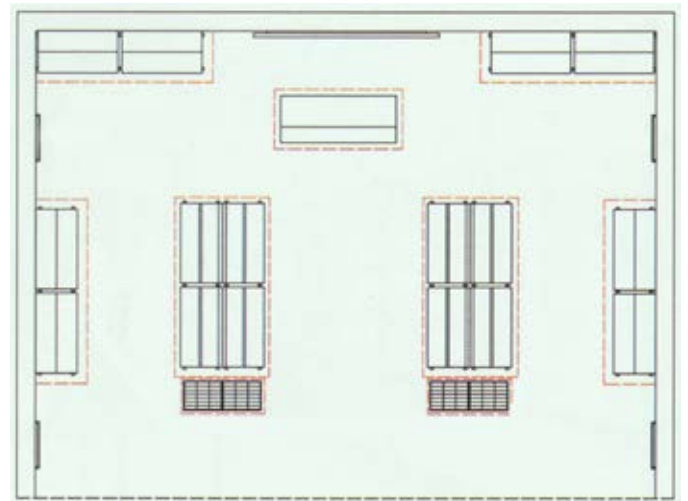
Shop Fitout - 48m²



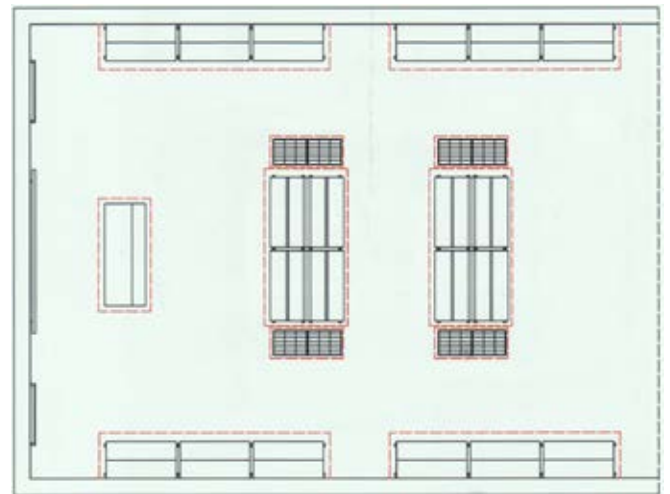
PDD-G6 Fitout #3

Area of the Shop:
48m² Design 1

Maximum Display Quantity:
3852 pcs



Shop Fitout - 60m²

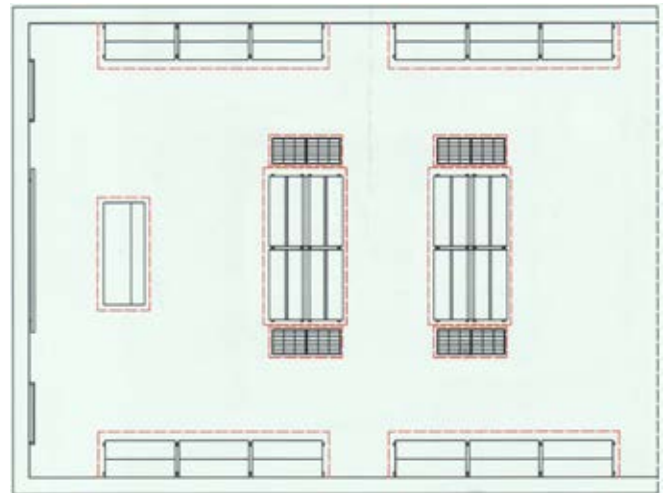


PDD-G6 Fitout #4

Area of the Shop:
60m² Design 1

Maximum Display Quantity:
5832 pcs

Shop Fitout - 60m²

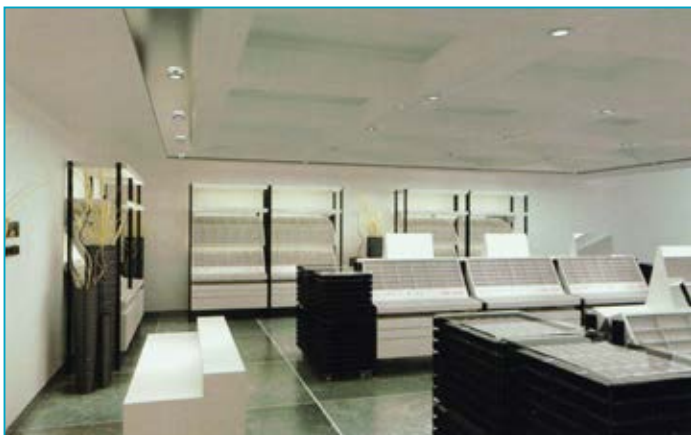
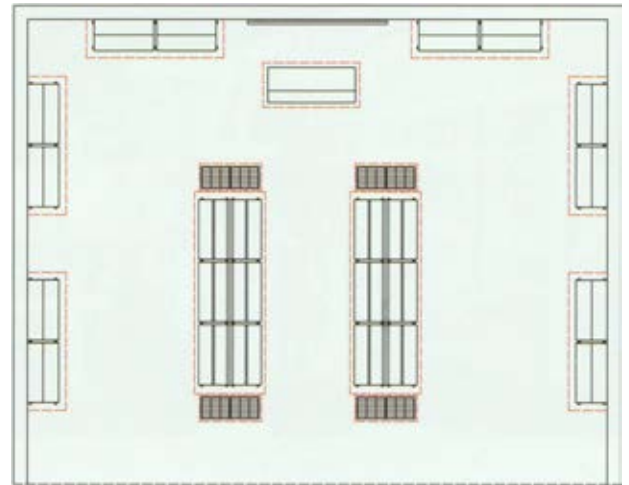


PDD-G6 Fitout #5

Area of the Shop:
60m² Design 2

Maximum Display Quantity:
2772 pcs

Shop Fitout - 80m²

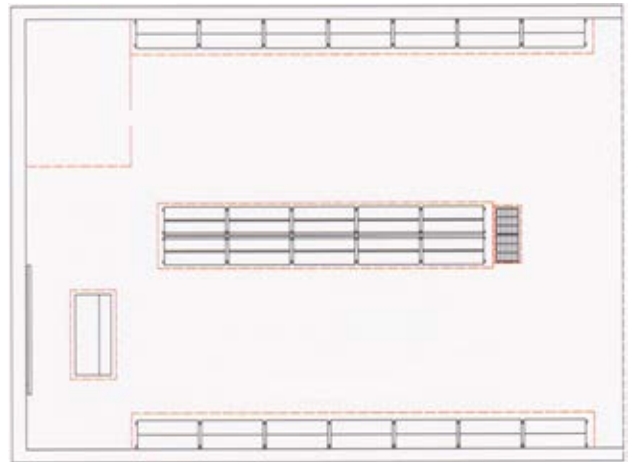


PDD-G6 Fitout #6

Area of the Shop:
80m² Design 1

Maximum Display Quantity:
6408 pcs

Shop Fitout - 80m²



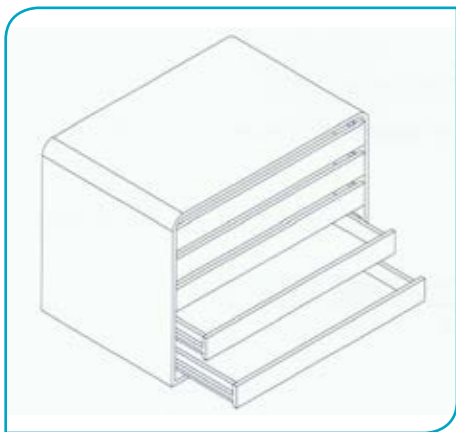
PDD-G6 Fitout #7

Area of the Shop:
80m² Design 2

Maximum Display Quantity:
4590 pcs



Optical Cabinets (560 x 378mm)

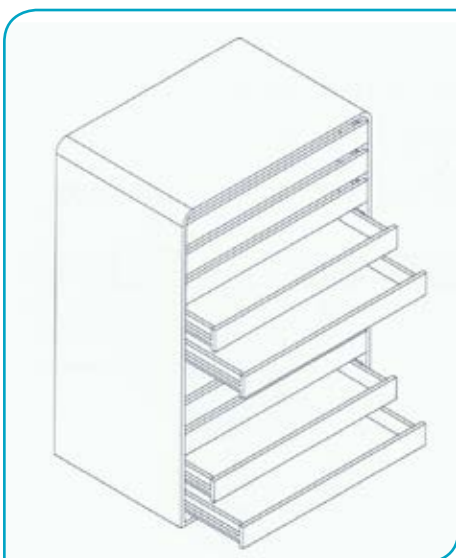


5-drawer Optical Cabinet

Size:
560 x 378 x 415 mm

Holds:
75 pairs

Colours:

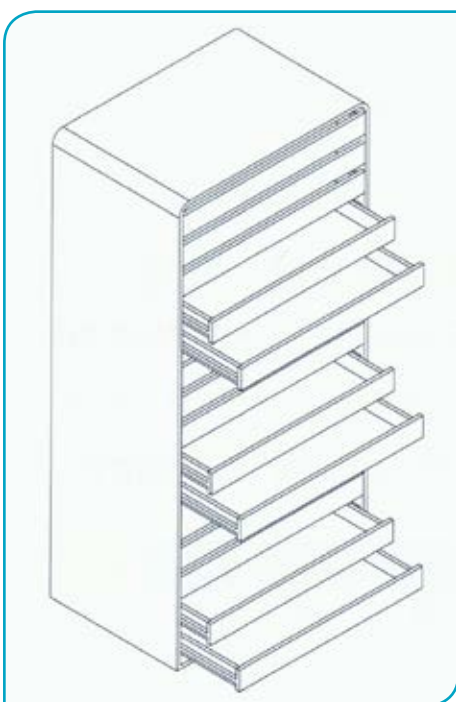


10-drawer Optical Cabinet

Holds:
150 pairs

Size:
560 x 378 x 415 mm

Colours:



15-drawer Optical Cabinet

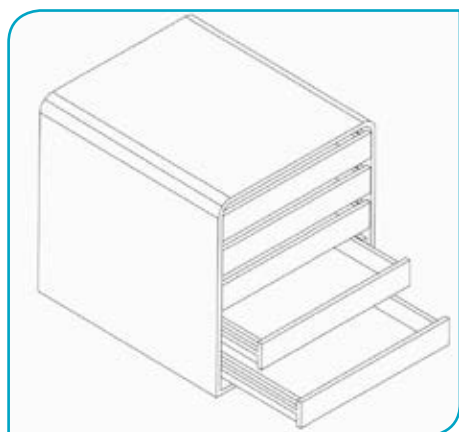
Holds:
225 pairs

Size:
560 x 378 x 1245 mm

Colours:



Optical Cabinets (450 mm)

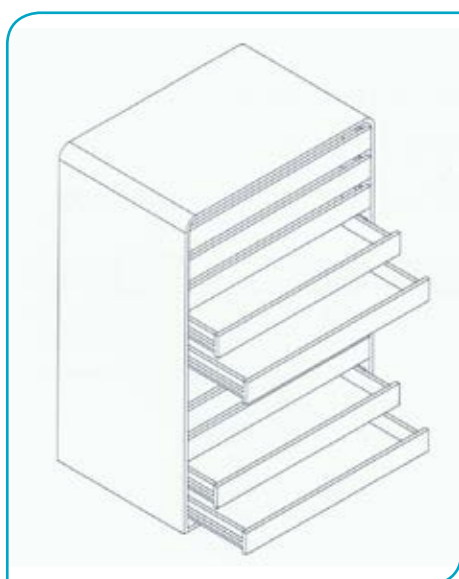


5-drawer Optical Cabinet

Size:
395 x 450 x 415 mm

Holds:
60 pairs

Colours:

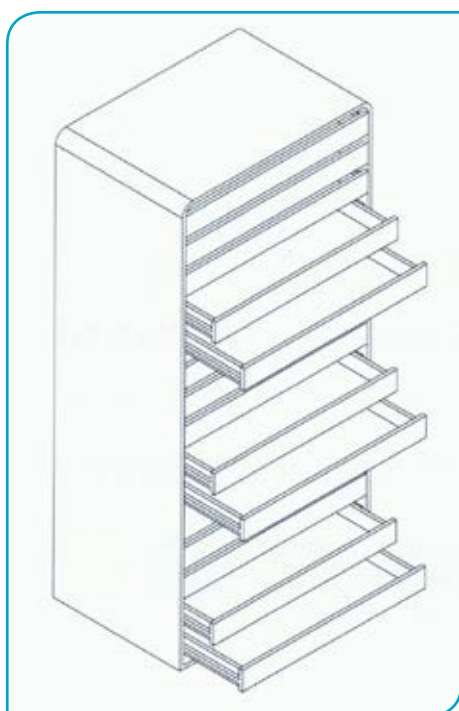
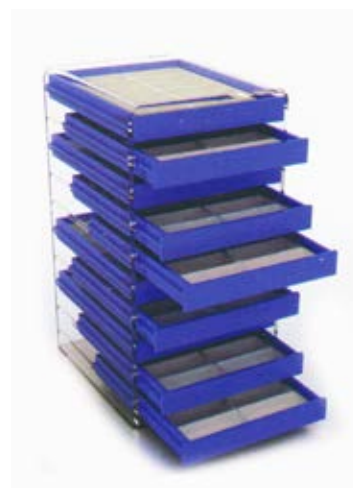


10-drawer Optical Cabinet

Holds:
120 pairs

Size:
395 x 450 x 415 mm

Colours:



15-drawer Optical Cabinet

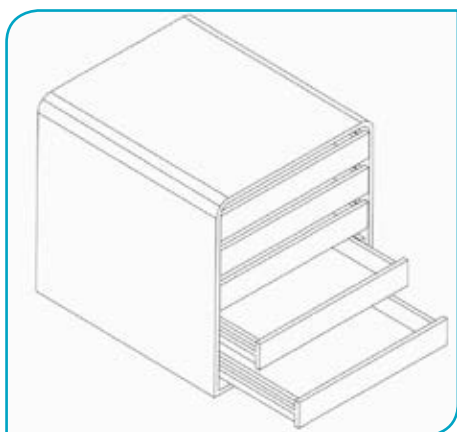
Holds:
180 pairs

Size:
395 x 450 x 1245 mm

Colours:



Optical Cabinets (378 mm)

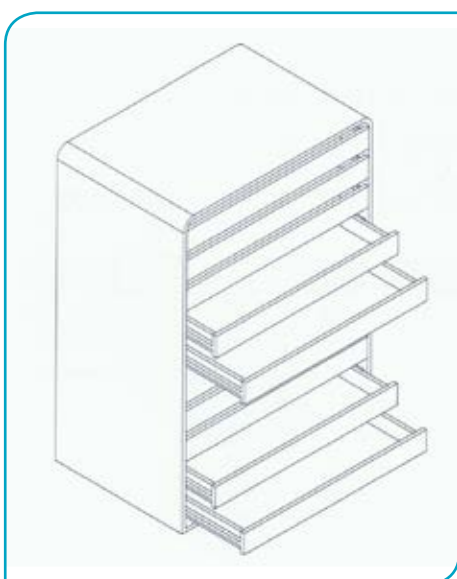


5-drawer Optical Cabinet

Size:
545 x 450 x 387 mm

Holds:
75 pairs

Colours:

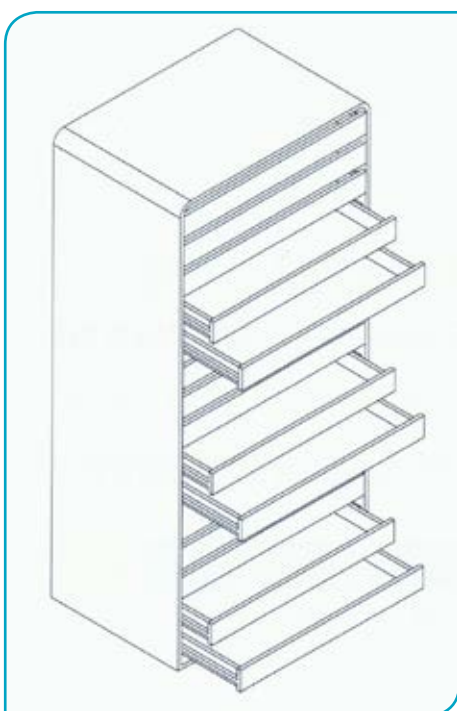


10-drawer Optical Cabinet

Holds:
150 pairs

Size:
560 x 378 x 830 mm

Colours:



15-drawer Optical Cabinet

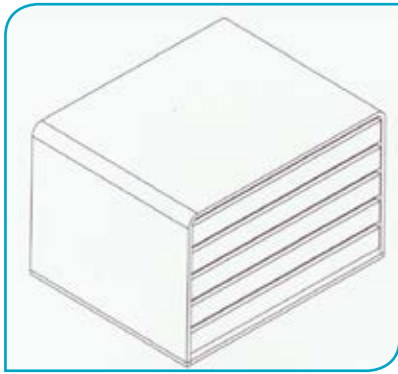
Holds:
225 pairs

Size:
560 x 378 x 1245 mm

Colours:



Optical Cabinets (554 x 450 mm)

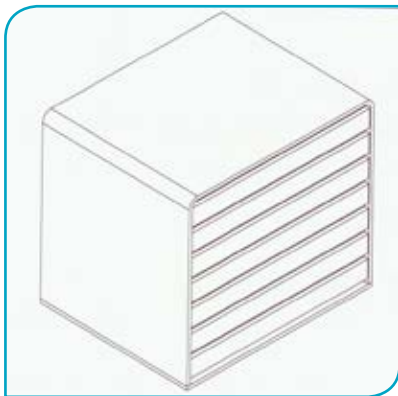


5-drawer Optical Cabinet

Size: 554 x 450 x 310 mm

Holds: 105 pairs

Colours:

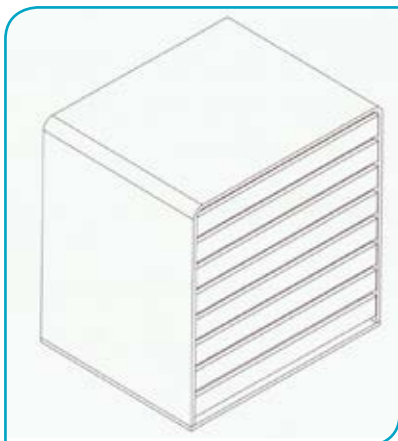


7-drawer Optical Cabinet

Size: 554 x 450 x 525 mm

Holds: 147 pairs

Colours:

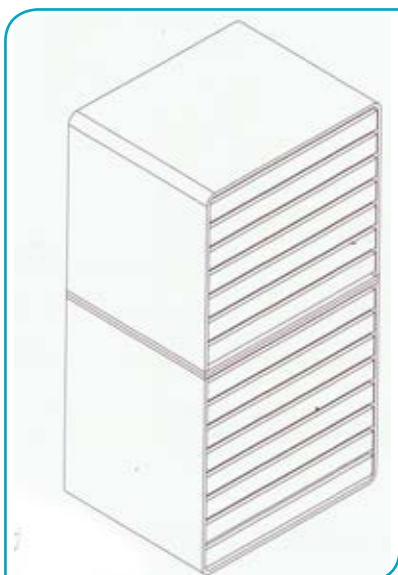


8-drawer Optical Cabinet

Size: 554 x 450 x 595 mm

Holds: 168 pairs

Colours:



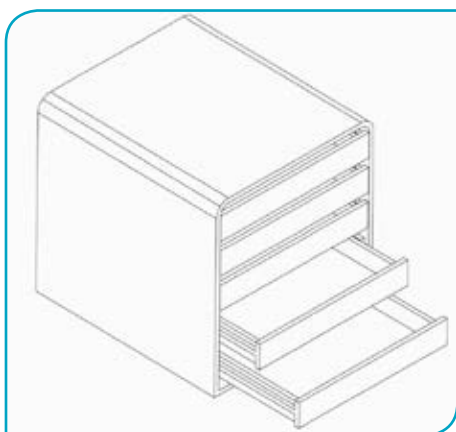
15-drawer Optical Cabinet

Size: 554 x 450 x 525 mm

Holds: 315 pairs

Colours:





5-drawer Optical Cabinet

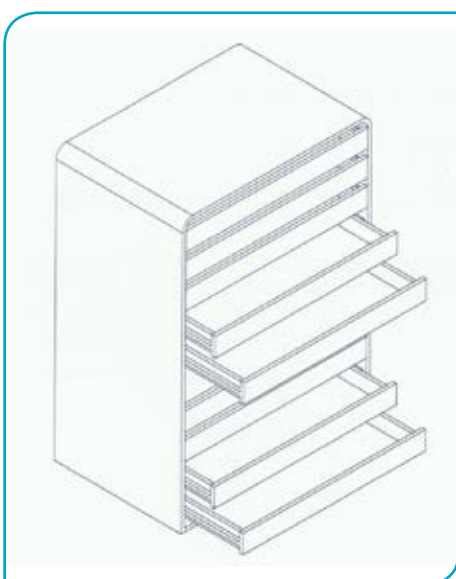
Size:

554 x 450 x 310 mm

Holds:

147 pairs

Colours:



10-drawer Optical Cabinet

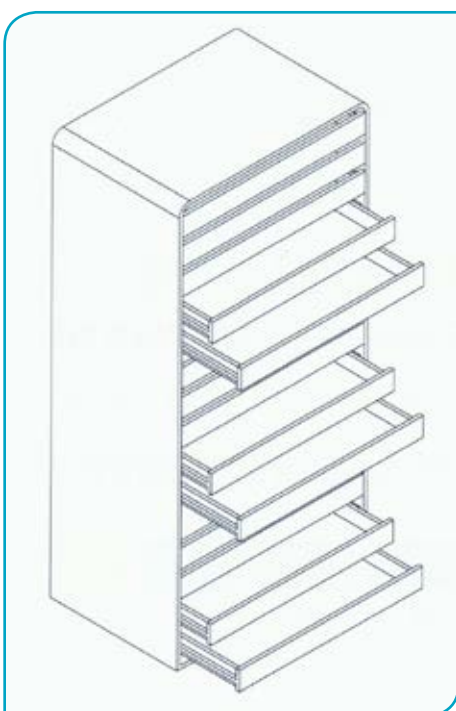
Holds:

150 pairs

Size:

554 x 450 x 525 mm

Colours:



15-drawer Optical Cabinet

Holds:

225 pairs

Size:

554 x 450 x 595 mm

Colours:





Envision the Possibilities.

OPTICARE

NSW (Head Office)

118 Adderley Street
AUBURN NSW 2144
Phone: 02 9748 8777
Fax: 02 9748 8666

QLD

Unit 3, 5 Navigator Place
HENDRA QLD 4011
Phone: 07 3630 2366
Fax: 07 3630 2399

VIC

27 Sunhill Road
MT WAVERLEY VIC 3149
Phone: 03 9807 5912
Fax: 03 9807 1479

WA

6 / 63 Russell Street
MORLEY WA 6062
Phone: 08 9376 3700
Fax: 08 9276 4266

FREECALL

 Ph: 1800 251 852

 Fax: 1800 789 110

 info@opticare.com.au

 www.opticare.com.au