



Infinity Freeform Design Tool

CONCEPT

Infinity was created to give the Optometrist the ability to create unique lens designs for their patients' individual lifestyle.

UNIQUE FEATURE

Infinity allows the Optometrist to vary the 3 visual zones with the patients' interaction using the app.

HOW IT WORKS

You have the ability to vary the 3 visual zones (DIN Values) within the following ranges:

D	-	Distance	Range: 10 to 80
I	-	Intermediate	Range: 10 to 20
N	-	Near	Range: 10 to 80

The total DIN value must be 100, e.g. DIN 30:10:60. These values are not a percentage and the effect of varying the DIN values needs to be assessed from the plots provided. Refer to the App.

- D** - The higher the D value the wider the Distance Zone
- I** - The I value does not have a significant effect on the design and is therefore limited to 20
- N** - The higher the **N** value the wider the Intermediate and Near.
For an **N** value of 80 the corridor length is 7mm.
For an **N** value of 10 the corridor length is 10mm.

RECOMMENDATION FOR PATIENT'S VISUAL REQUIREMENTS

Computer & Reading	DIN - 10:10:80, DIN - 20:10:70
Near & General	DIN - 30:10:60, DIN - 40:10:50
Distance & General	DIN - 50:10:40, DIN - 60:10:30
Distance Use	DIN - 70:10:20, DIN - 80:10:10

HYPEROPIC Rx

Use DIN ranges of 10:10:80 to 40:10:50

MYOPIC Rx

Use DIN ranges of 50:10:50 to 80:10:10



SPECIAL NOTE

It is important to show the Infinity Map to the Patient with chosen DIN Value, so they understand the lens and how it works. They will realise this is a lens designed individually for them with their input.

FITTING HEIGHT

The minimum recommended fitting height (FH) is 18mm for the Near Zone to work correctly. You may fit lower (to 16mm) as long as you explain to the Patient, they are not getting the FULL benefit of this unique design. Please note, the higher the fitting height the greater the Near Zone, e.g.

- FH of 16mm the Binocular Reading Width is 20mm.
- FH of 20mm the Binocular Reading Width is 27mm.
- FH of 24mm the Binocular Reading Width is 34mm.

See **Infinity DIN 10:10:80** below showing how much the N Zone is increases with increase in the FH.





AVAILABLE MATERIALS

Infinity Available in:		Power Range
1.5	Infinity Hardcoat Infinity Opticare Polar Grey/Lt Grey/Brown/Lt Brown/ Green Infinity Nupolar Grey/Lt Grey/Brown/Green Infinity Nupolar Mirror Gold/Silver/Ice Blue Infinity Transitions Grey/Brown/Green Infinity Drivewear Infinity Transitions XTRActive Grey/Brown Infinity Transitions Vantage Grey Infinity Infinite Grey	-6.00/+6.00/-6.00 Cyl
1.53	Infinity Trilogy Hardcoat Infinity Trilogy Polar Grey/Brown Infinity Trilogy Drivewear Infinity Trilogy Transitions Grey/Brown Infinity Trilogy Trans Vantage Grey Infinity Trilogy Transitions XTRAActive Grey	-6.00/+6.00/-6.00 Cyl
1.55	Infinity Hi-Vex Hardcoat	-7.00/+8.00/-6.00 Cyl
1.56	Infinity Hardcoat Infinity Sunmatic Grey/Brown/Green Infinity Blue Guardian Infinity Sunmatic Blue Guardian	-7.00/+8.00/-6.00 Cyl
1.59	Infinity Polycarb Hardcoat Infinity Polycarb Nupolar Grey/Brown/Green/Copper Infinity Polycarb Nupolar Grad Grey/Brown-Grey/Brown-Brown Infinity Polycarb Transitions Grey/Brown Infinity Polycarb Transitions XTRActive Grey Infinity Polycarb Transitions Vantage Grey Infinity Polycarb Drivewear Infinity Polycarb Infinite Photo Polar	-10.00/+8.00/-6.00 Cyl
1.6	Infinity Litrex Hardcoat Infinity Litrex Sunmatic Infinity Litrex Blue Guardian Infinity Litrex Sunmatic Blue Guardian	-10.00/+9.00/-6.00 Cyl



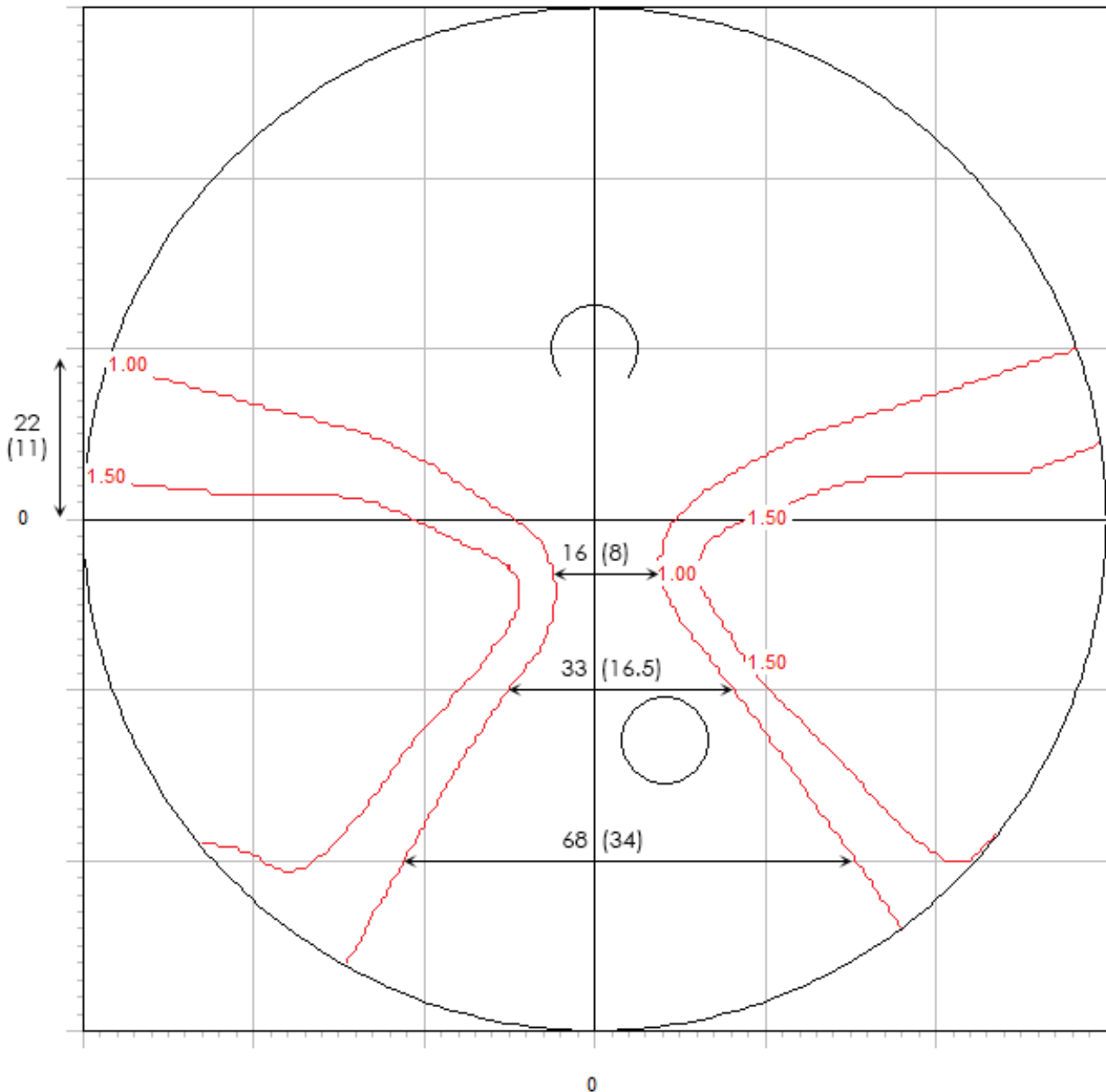
1.61	Infinity Hardcoat Infinity Nupolar Grey/Brown/Green Infinity Opticare Polar Winter Grey/Summer Brown Infinity Sunmatic Grey Infinity Transitions Grey/Brown Infinity Transitions XTRActive Grey Infinity Blue Guardian Infinity Neocontrast Blue Guardian Infinity Sunmatic Blue Guardian	-10.00/+9.00/-6.00 Cyl
1.67	Infinity Hardcoat Infinity Nupolar Grey/Brown/Green Infinity Opticare Polar Winter Grey/Summer Brown Infinity Sunmatic Grey Infinity Transitions Grey/Brown Infinity Transitions XTRActive Grey Infinity Blue Guardian Infinity Neocontrast Blue Guardian Infinity Sunmatic Blue Guardian	-14.00/+14.00/-6.00 Cyl
1.74	Infinity Hardcoat Infinity Transitions Grey/Brown Infinity Blue Guardian	-16.00/+9.50/-6.00 Cyl

Add	Diameter	Fitting Cross
0.75 - 3.50	70mm/75mm	4mm above



DIN 10-10-80

Recommended for: **Computer and Reading**

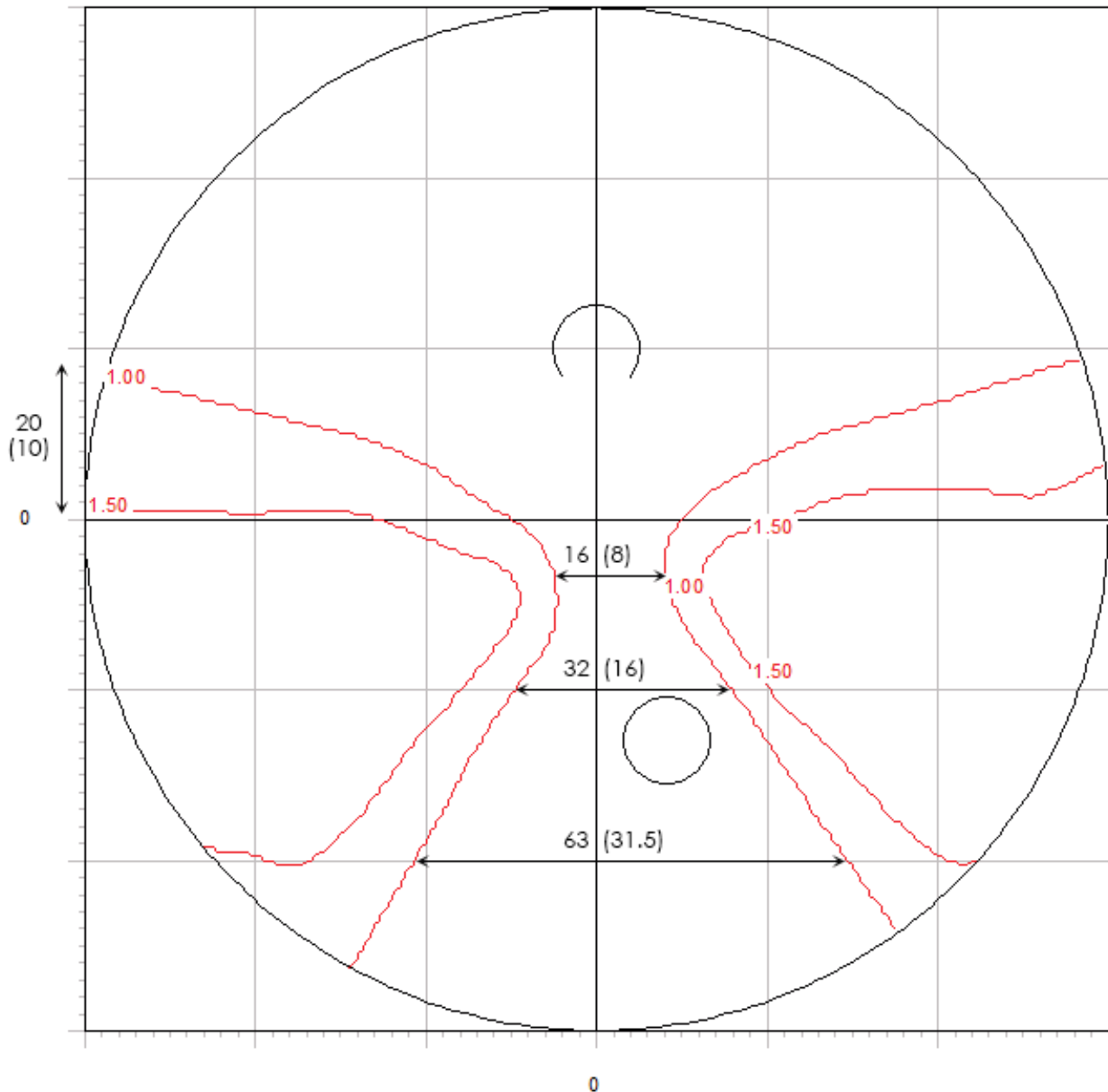


Additional Power: +2.00
Maximum Cyl: 1.83 at x=18.20 y=-5.50
Scale 2:1



DIN 20-10-70

Recommended for: **Computer and Reading**

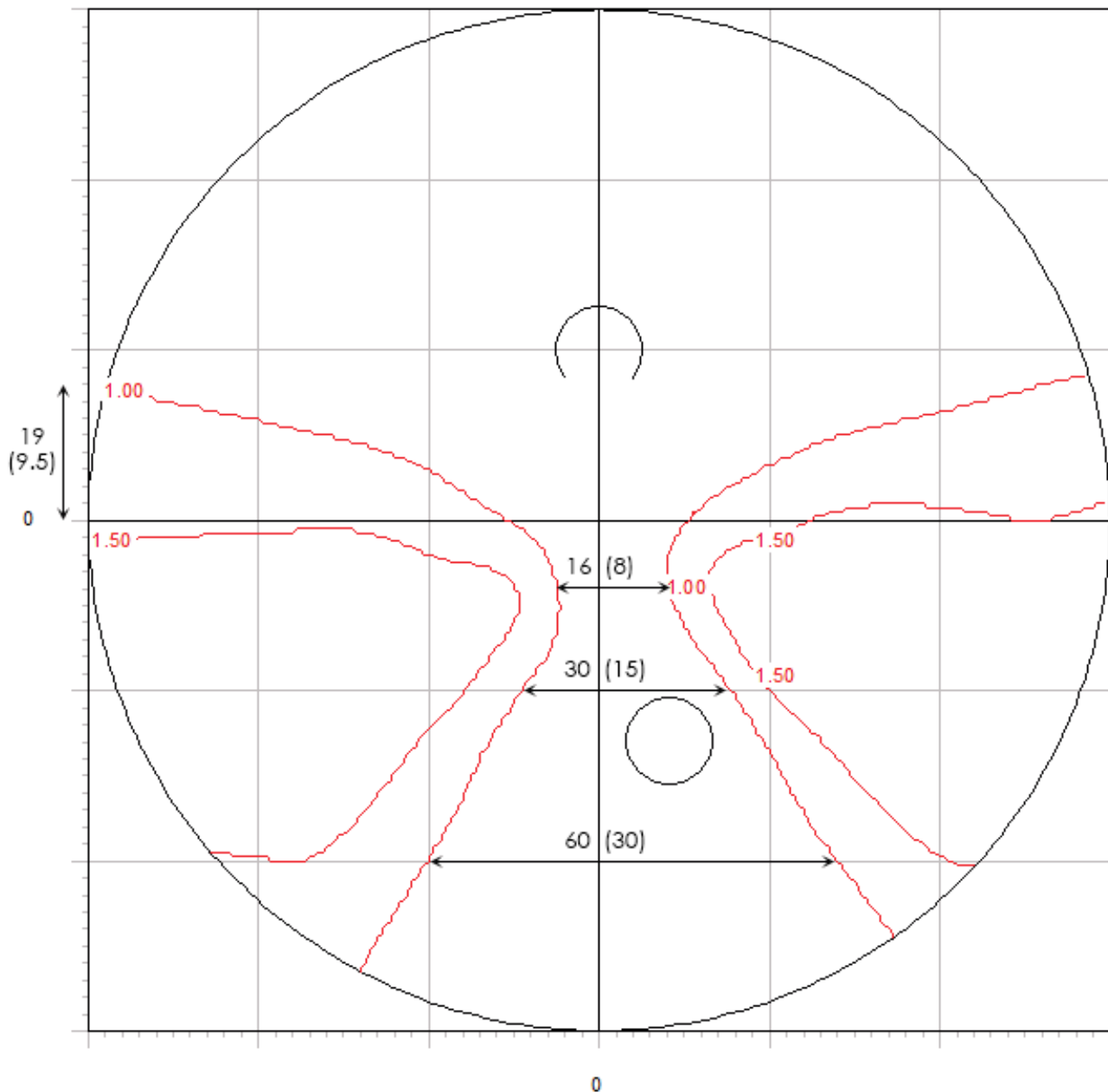


Additional Power: +2.00
 Maximum Cyl: 1.80 at x=18.00 y=-6.00
 Scale 2:1



DIN 30-10-60

Recommended for: **Near and General**

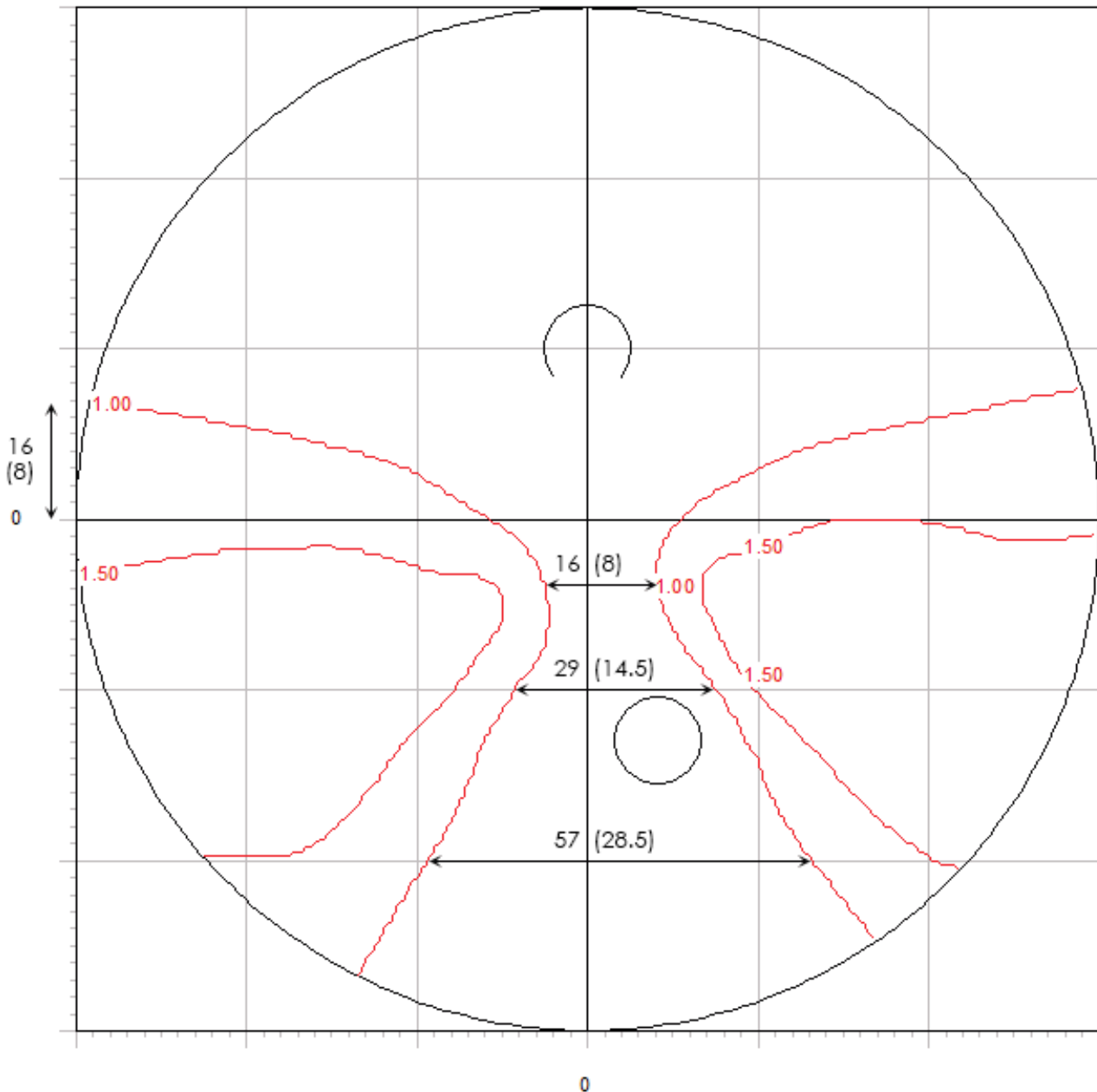


Additional Power: +2.00
 Maximum Cyl: 1.77 at x=18.00 y=-6.70
 Scale 2:1



DIN 40-10-50

Recommended for: **Near and General**

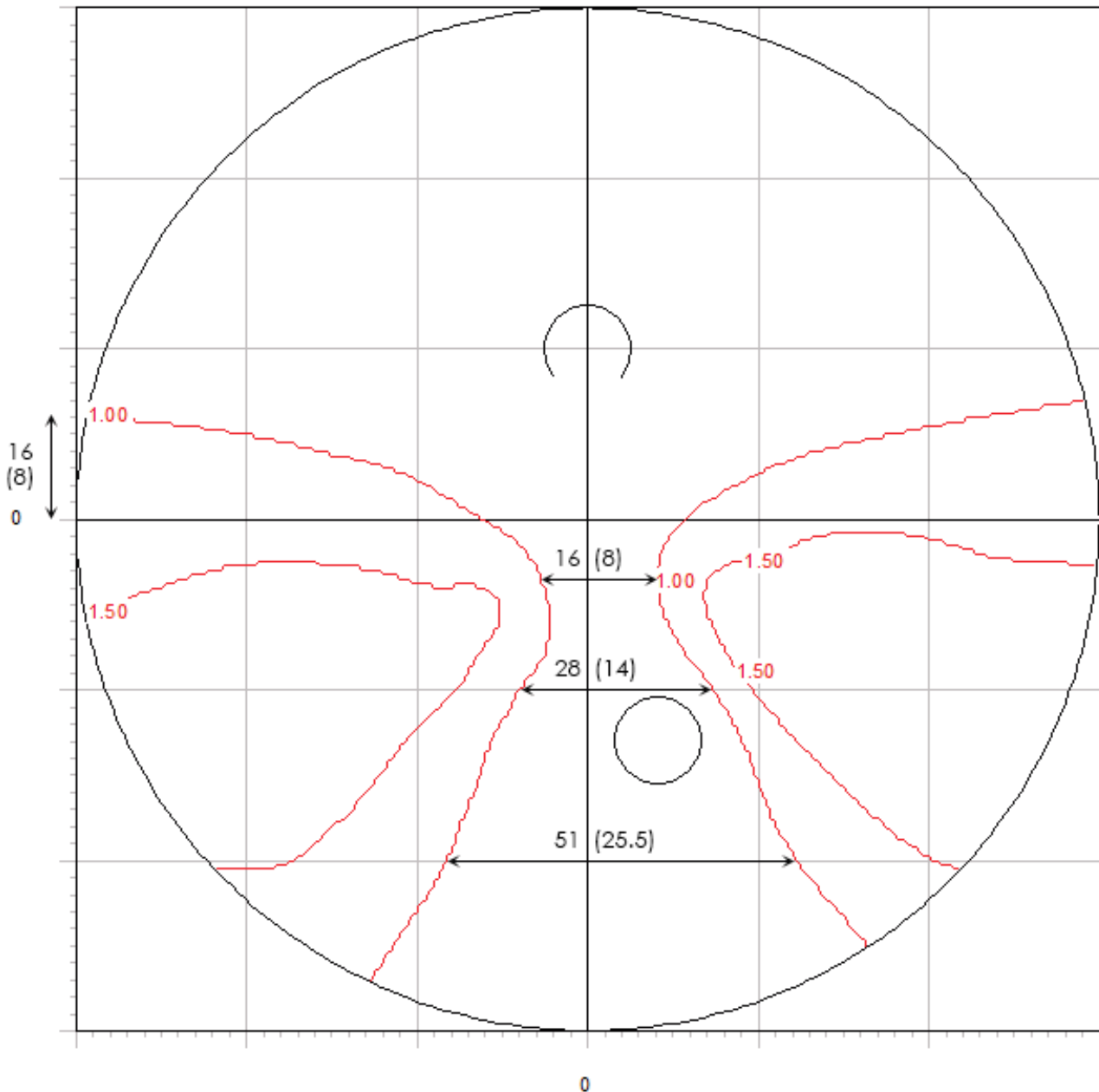


Additional Power: +1.99
 Maximum Cyl: 1.75 at x=18.20 y=-7.20
 Scale 2:1



DIN 50-10-40

Recommended for: **Distance and General**

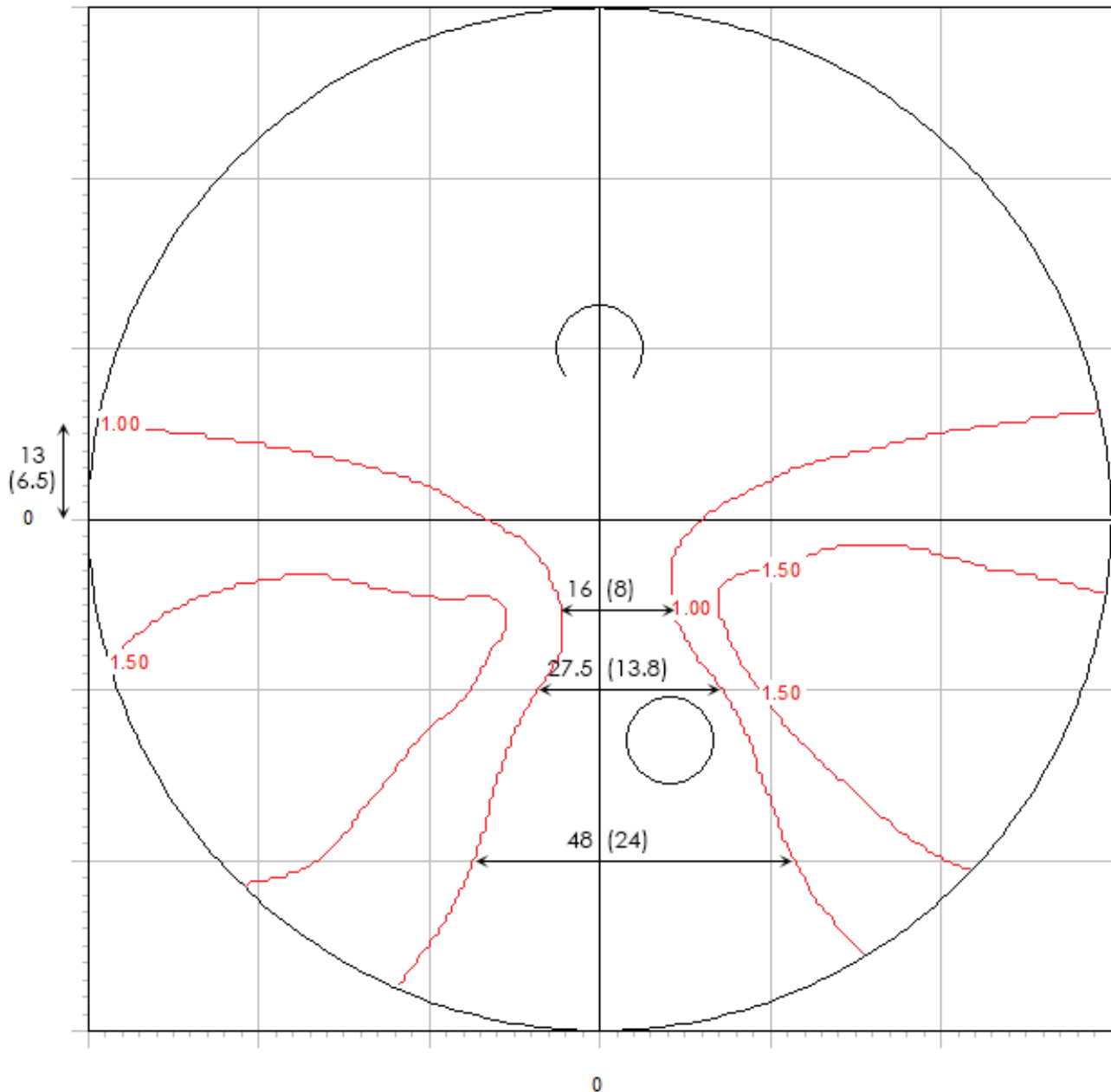


Additional Power: +1.99
 Maximum Cyl: 1.73 at x=18.50 y=-7.80
 Scale 2:1



DIN 60-10-30

Recommended for: **Distance and General**

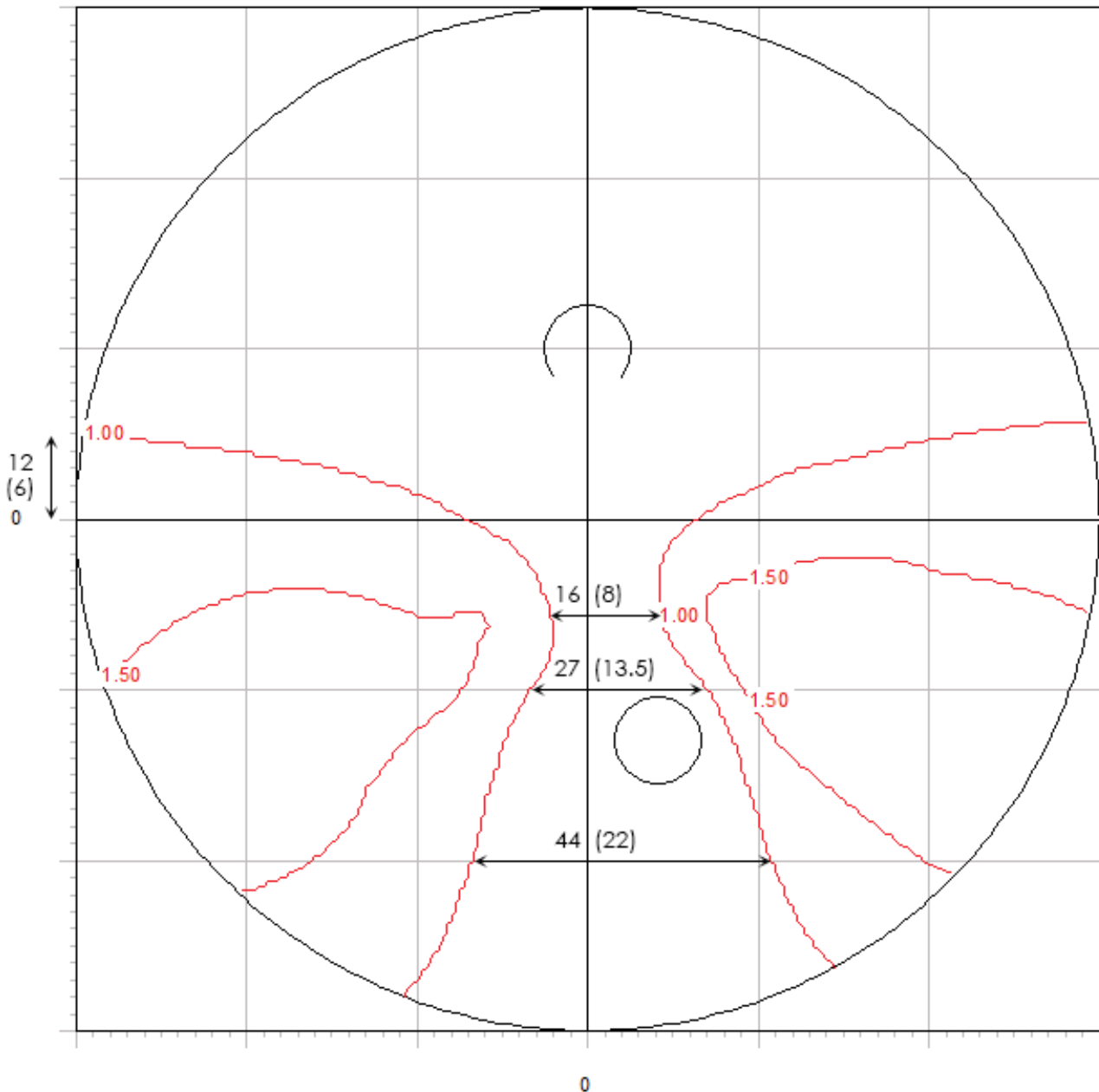


Additional Power: +1.98
 Maximum Cyl: 1.71 at x=19.20 y=-8.50
 Scale 2:1



DIN 70-10-20

Recommended for: **Distance Use**

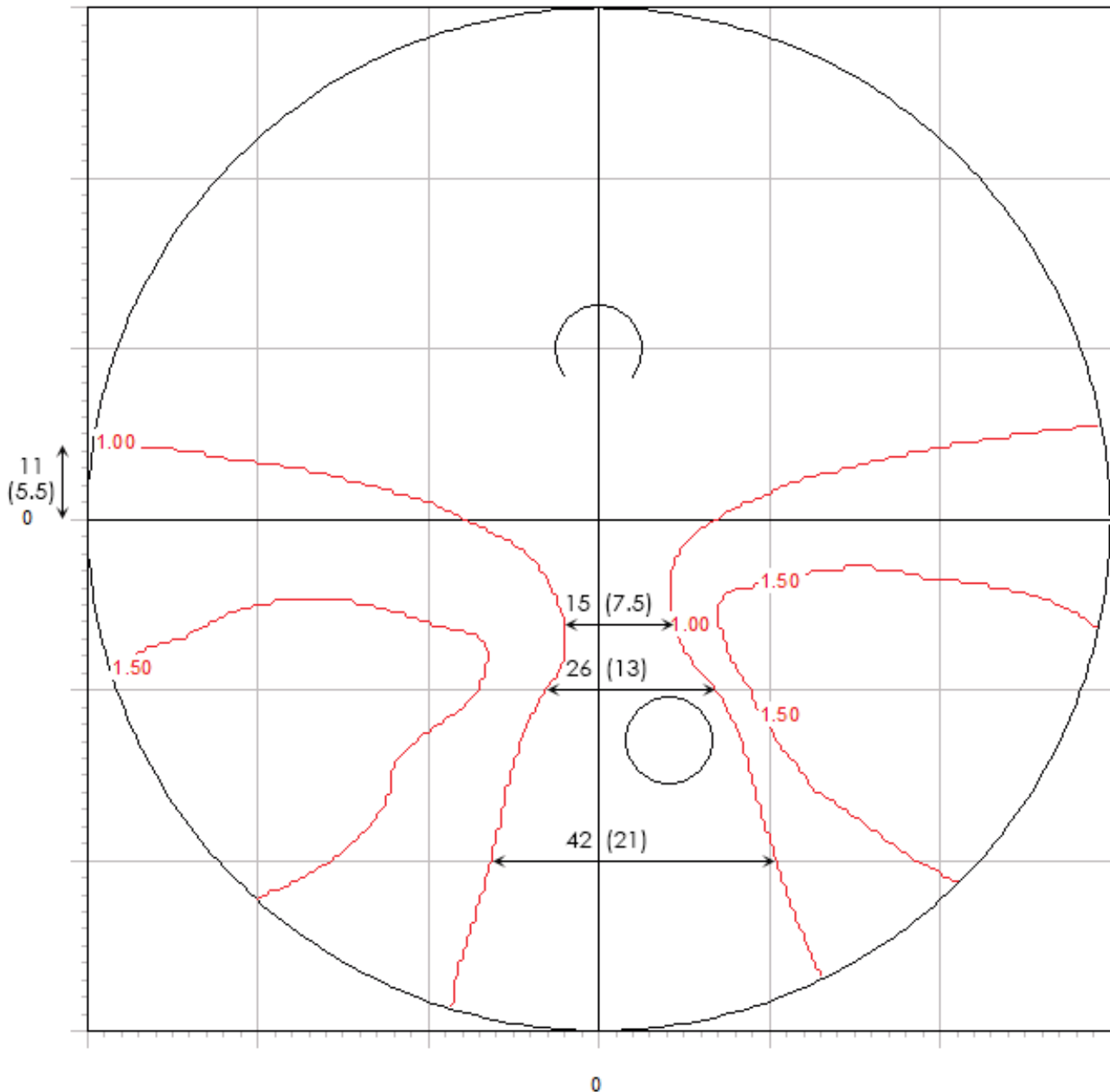


Additional Power: +1.98
Maximum Cyl: 1.71 at x=26.40 y=-14.20
Scale 2:1



DIN 80-10-10

Recommended for: **Distance Use**



Additional Power: +1.98
 Maximum Cyl: 1.74 at x=26.30 y=-14.40
 Scale 2:1