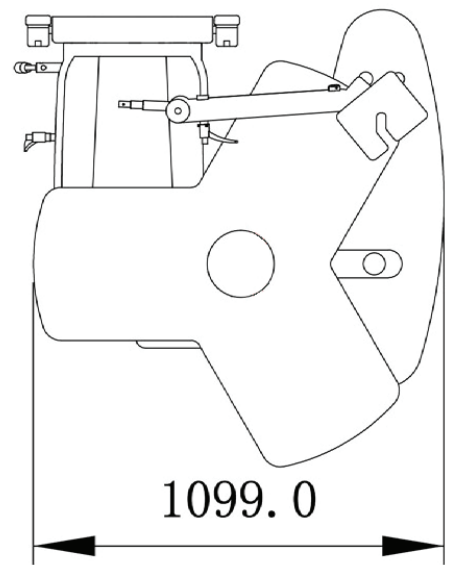
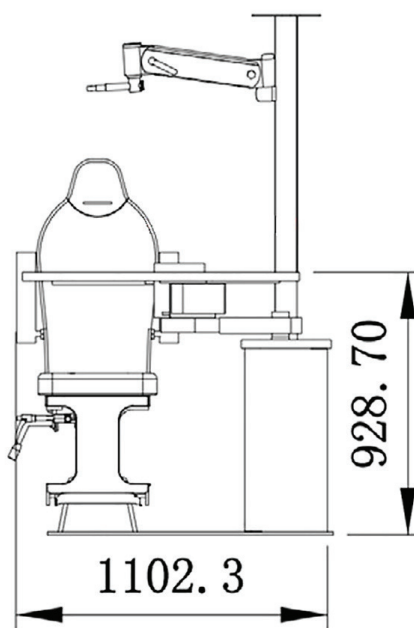
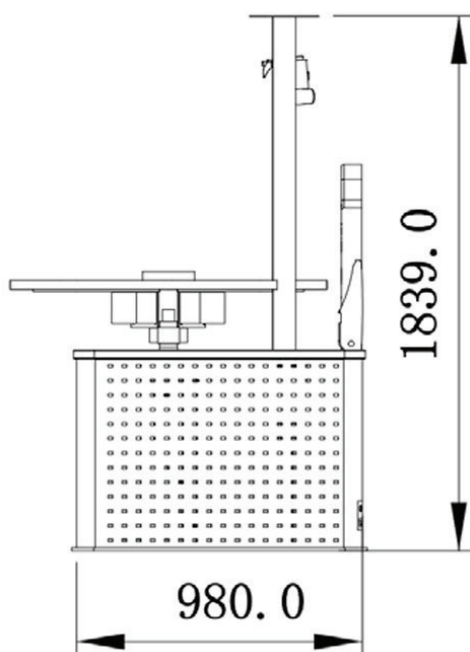


CT-450S Ophthalmic Unit (3-Table)

- 360° Rotateable table
- Manual phoropter arm
- Electromagnetic lock
- Universal Power Supply

Technical Specifications

Unit Size	1200 x 1055 x 1850mm
Table Size	420 x 510mm
Table Rotateable Range	360°
Swing Arm Oscillation Angle	±35°
Chair Up & Down Range	540-690mm
Chair Loading Ability	200-250kg
Adjustable Backrest Range	160°
Lamp	LED (24V, 3W)
Power Supply	AC220V/110V 50/60HZ
Size	262mm (W) x 518mm (D) x 441mm (H)
Weight	200kg



OFFP001 08/15